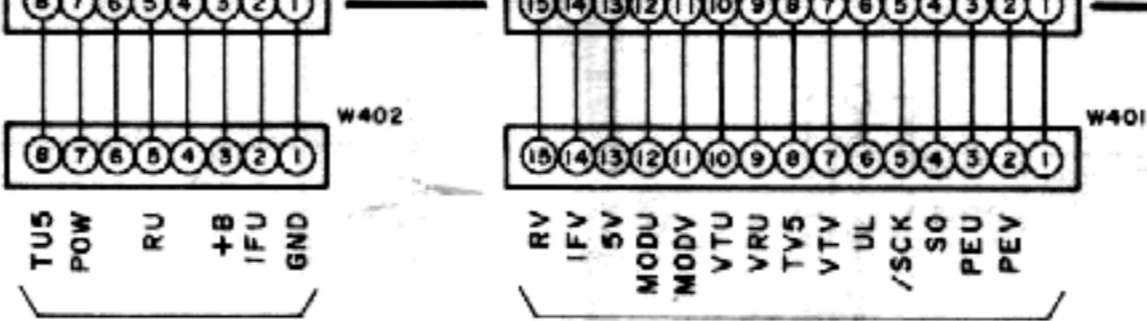
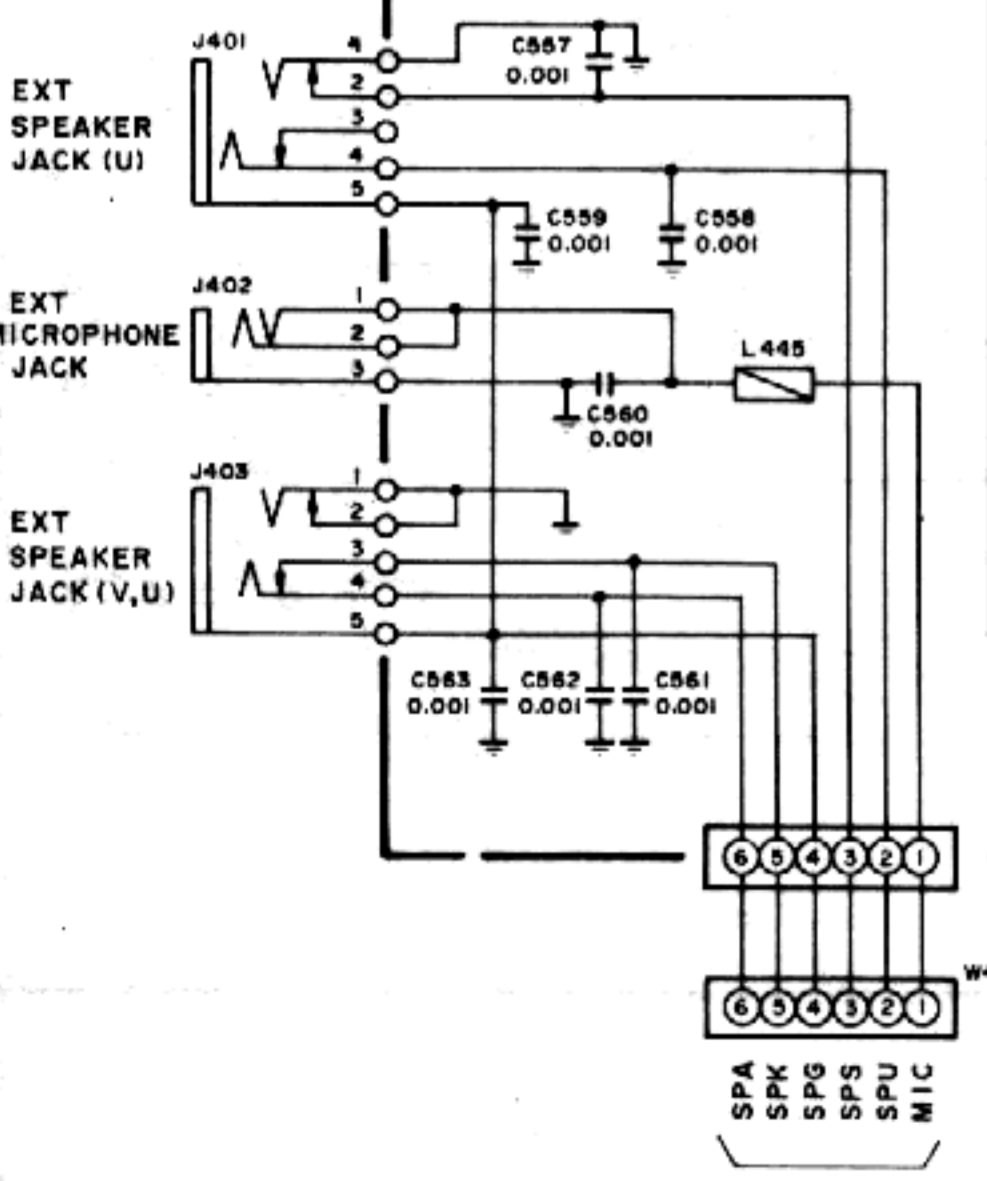


PLL

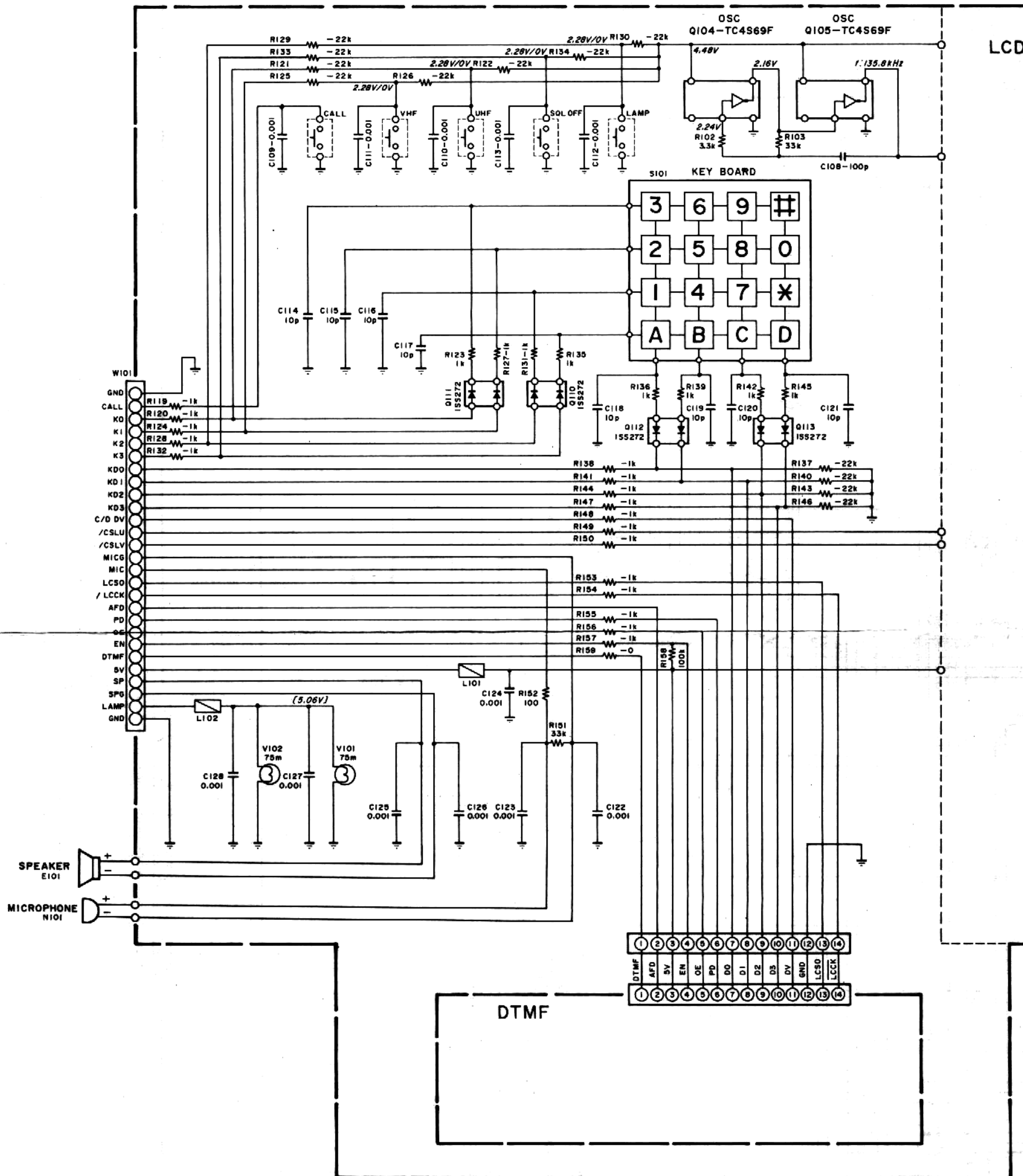
- NOTES:
1. REFER TO PARTS LIST FOR COMPONENT VALUES.
 2. UNLESS OTHERWISE NOTED RESISTOR VALUES ARE IN OHMS, AND CAPACITOR VALUES ARE IN MICROFARADS.
 3. VOLTAGE NOTATIONS ARE AS FOLLOWS:
 () ----- TX HI-POWER
 < > ----- UL
 { } ----- TX LOW
 NO MARKING --- RX VHF UHF SQL OFF
 4. NO MARKING CAPACITORS AND RESISTORS ARE ALL CHIP PARTS.

APC 回路電圧 (V)

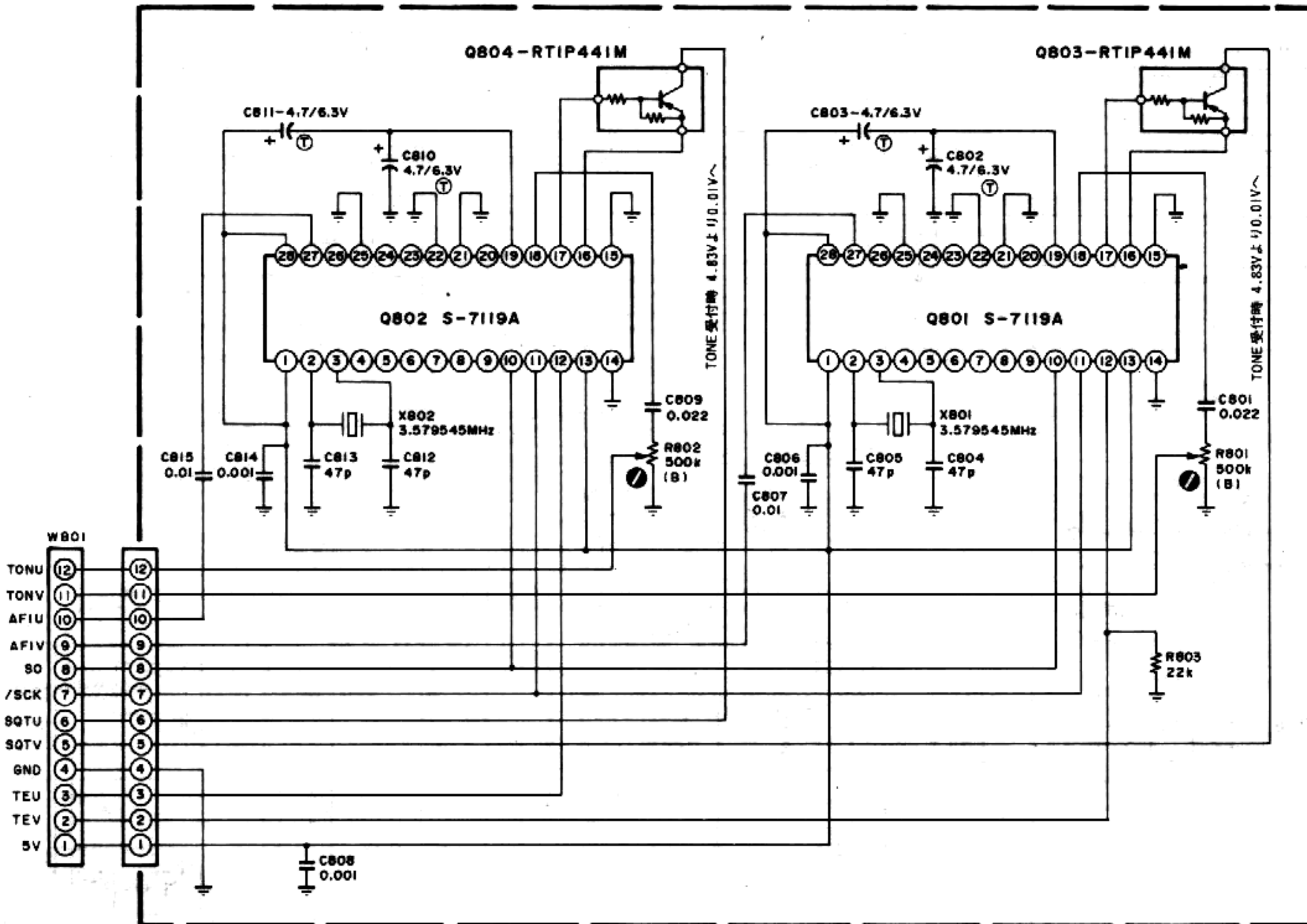
調定 ポイント	VHF		UHF	
	HI	LO	HI	LO
①	0.60V	0.67V	0.59V	0.67V
②	1.15V	1.17V	1.15V	1.17V
③	1.13V	0.92V	1.13V	0.42V
④	0.61V	0.62V	0.62V	0.62V
⑤	1.76V	1.76V	1.75V	1.78V
⑥	5.01V	5.03V	5.02V	5.04V
⑦	4.28V	4.37V	4.28V	4.46V
⑧	4.93V	1.39V	4.93V	1.52V
⑨	0.44V	4.21V	0.43V	4.45V
⑩	0.39V	0.01V	0.39V	0V
⑪	0.64V	0.55V	0.74V	0.85V
⑫	0V	0V	0.18V	1.30V



CONTROL



CTN520



Q801, Q802 VOLTAGE

PIN -NO	TSQ OFF	TSQ RX	TONE TX
1	5.04V	5.03V	5.00V
2	5.17V	2.36V	2.33V
3	5.04V	2.45V	2.46V
4	5.01V	2.57V	4.97V
5	5.01V	5.00V	4.97V
6	5.01V	5.00V	4.97V
7	5.01V	5.00V	4.97V
8	5.01V	5.00V	4.97V
9	5.01V	5.00V	4.97V
10	0.01V	0.01V	0.01V
11	4.25V	4.25V	4.25V
12	0.01V	0.01V	0.01V
13	5.04V	5.03V	5.00V
14	0V	0V	0V
15	0V	0V	0V
16	0V	5.03V	4.81V
17	0V	0.08V TONE-HI 5.03V	0.07V
18	0V	2.51V	2.50V
19	2.52V	2.51V	2.50V
20	0V	0V	0V
21	0V	0V	0V
22	0V	0V	0V
23	2.52V	2.51V	2.49V
24	5.01V	5.00V	4.97V
25	0V	0V	0V
26	2.26V	2.26V	2.24V
27	2.26V	2.25V	2.24V
28	5.04V	5.03V	5.00V

NOTES:

1. REFER TO PARTS LIST FOR COMPONENT VALUES.
2. UNLESS OTHERWISE NOTED RESISTOR VALUES ARE IN OHMS, AND CAPACITOR VALUES ARE IN MICROFARADS.
3. NO MARKING CAPACITORS AND RESISTORS ARE ALL CHIP PARTS.

